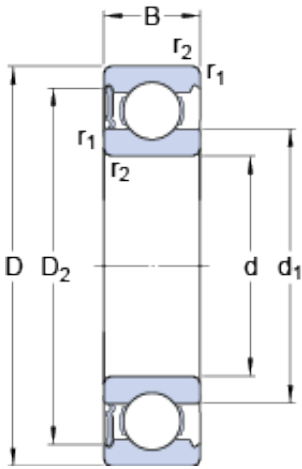




TRAY BEARING-MALAYSIA SDN.BHD.



50 mm x 90 mm x 20 mm SKF 6210-RS1 deep groove ball bearings

Bearing No. 6210-RS1

6210-RS1 Bearing 2D drawings and 3D CAD models

Size	90x50x20 mm
Bore Diameter	90 mm
Outer Diameter	50 mm
Width	20 mm
d	50 mm
D	90 mm
B	20 mm
d ₁	62.51 mm
D ₂	81.61 mm
r _{1,2} - min.	1.1 mm
d _a - min.	57 mm
d _a - max.	62.4 mm
D _a - max.	83 mm
r _a - max.	1 mm
Basic dynamic load rating - C	37.1 kN
Basic static load rating - C ₀	23.2 kN
Fatigue load limit - P _u	0.98 kN
Limiting speed	4800 r/min
Calculation factor - k _r	0.025
Calculation factor - f ₀	14.4
Category	Single Row Ball Bearings
Inventory	0.0
Manufacturer Name	SKF
Minimum Buy Quantity	N/A



TRAY BEARING-MALAYSIA SDN.BHD.

Weight / Kilogram	0.47
EAN	7316577302649
Product Group	B00308
Enclosure	1 Seal
Precision Class	ABEC 1 ISO P0
Maximum Capacity / Filling Slot	No
Rolling Element	Ball Bearing
Snap Ring	No
Internal Special Features	No
Cage Material	Steel
Enclosure Type	Contact Seal
Internal Clearance	C0-Medium
Inch - Metric	Metric
Long Description	50MM Bore; 90MM Outside Diameter; 20MM Outer Race Diameter; 1 Seal; Ball Bearing; ABEC 1 ISO P0; No Filling Slot; No Snap Ring; No Internal Special Features
Category	Single Row Ball Bearing
UNSPSC	31171504
Harmonized Tariff Code	8482.10.50.68
Noun	Bearing
Keyword String	Ball
Manufacturer URL	http://www.skf.com
Manufacturer Item Number	6210-RS1
Weight / LBS	1.04
Outer Race Width	0.787 Inch 20 Millimeter
Outside Diameter	3.543 Inch 90 Millimeter
Bore	1.969 Inch 50 Millimeter
d ₁	62.51 mm
D ₂	81.61 mm



TRAY BEARING-MALAYSIA SDN.BHD.

$r_{1,2}$ min.	1.1 mm
d_a min.	57 mm
d_a max.	62.4 mm
D_a max.	83 mm
r_a max.	1 mm
Basic dynamic load rating C	37.1 kN
Basic static load rating C_0	23.2 kN
Fatigue load limit P_u	0.98 kN
Calculation factor k_r	0.025
Calculation factor f_0	14.4
Mass bearing	0.46 kg